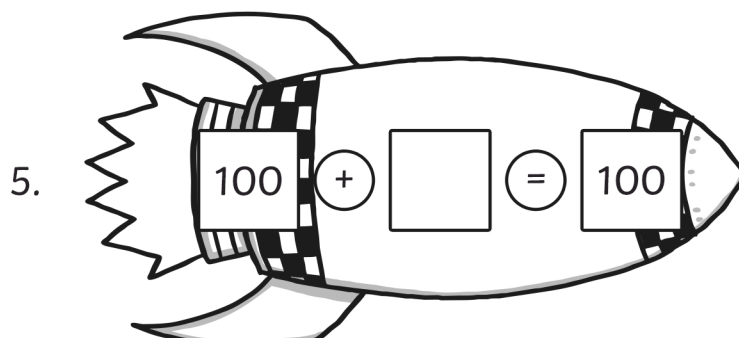
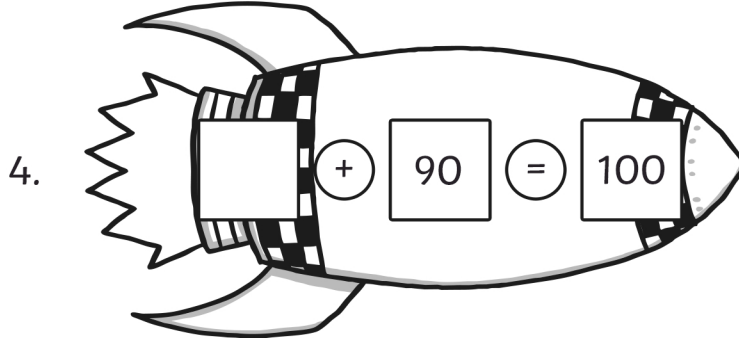
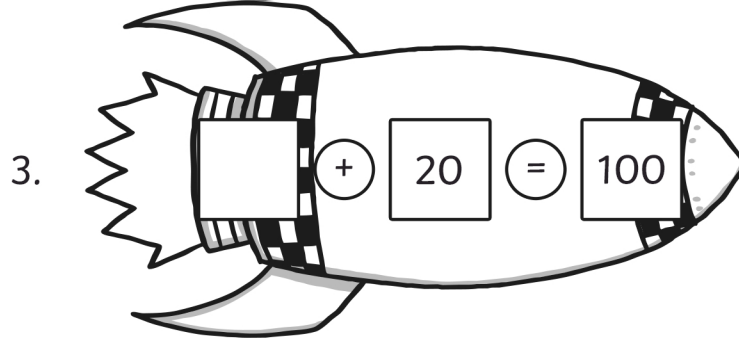
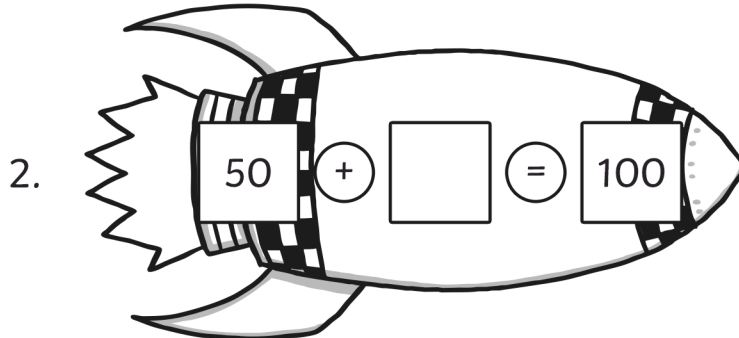
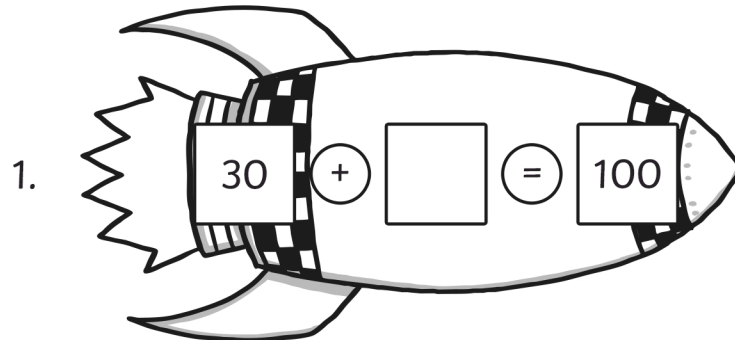


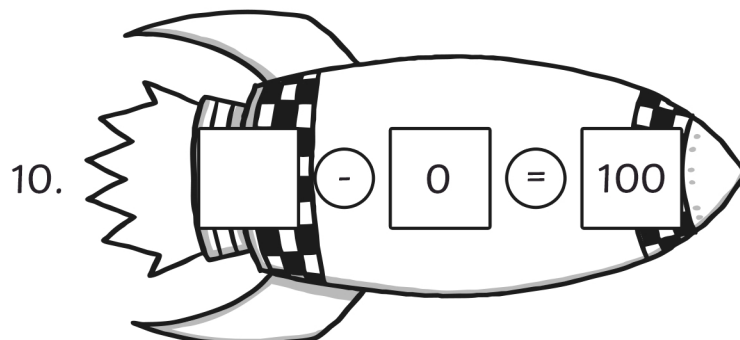
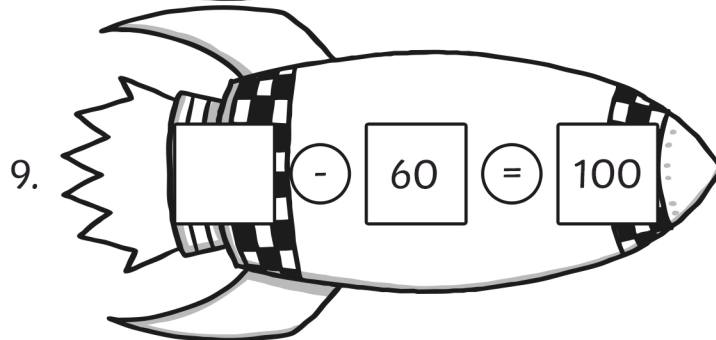
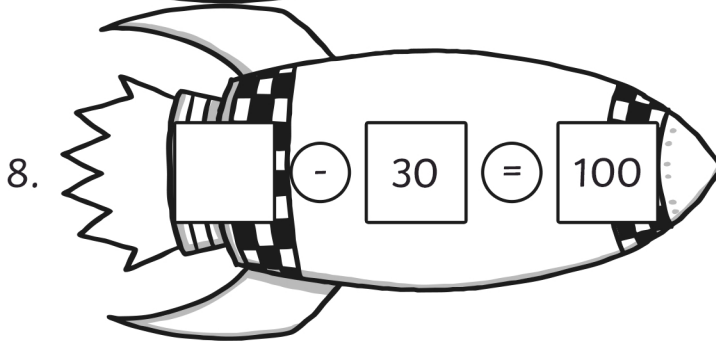
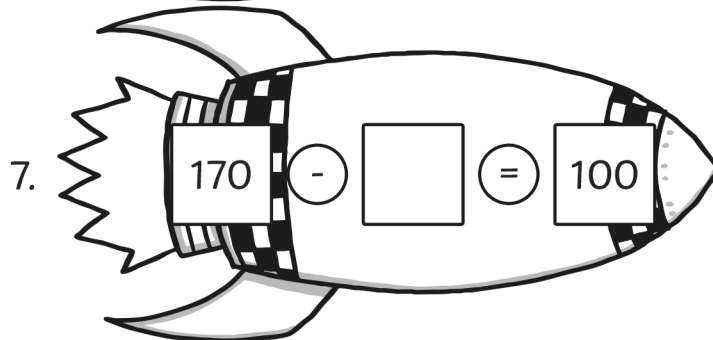
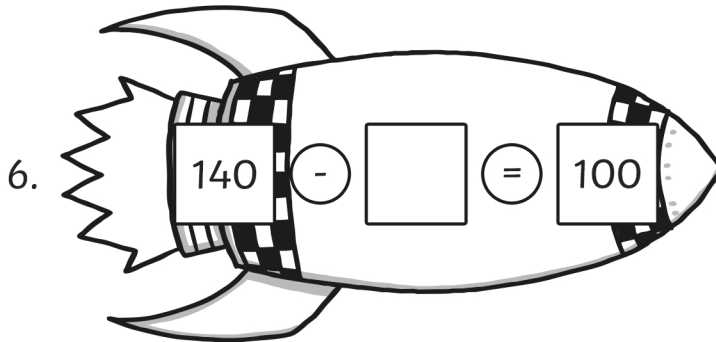
Rocket Race to 100

Can you find the missing numbers to make a total of 100?



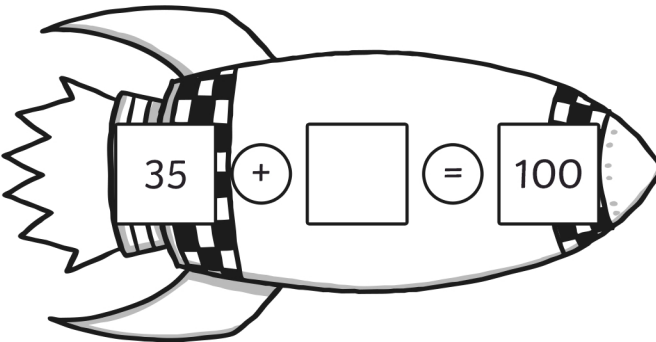
Rocket Race to 100

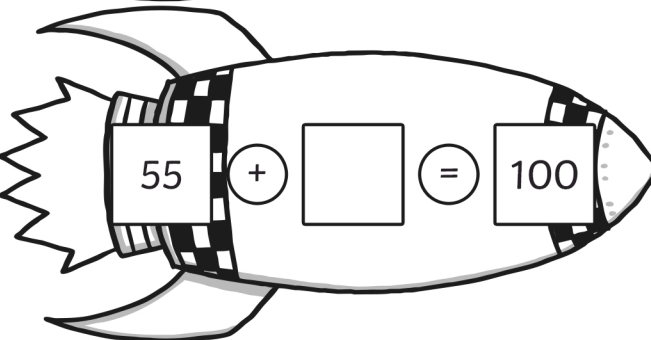
Can you find the missing numbers to make a total of 100?

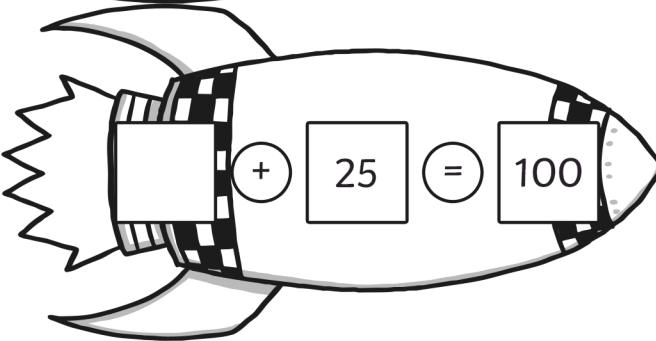


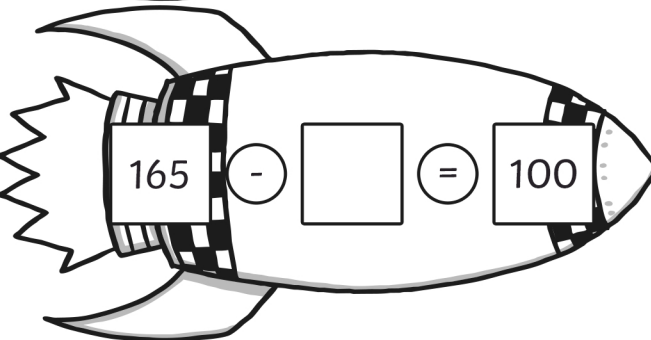
Rocket Race to 100

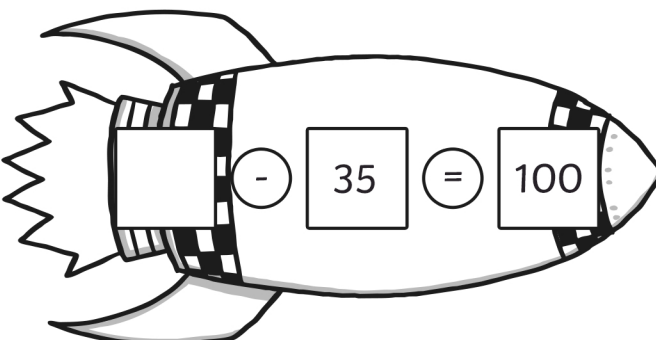
Can you find the missing numbers to make a total of 100?

11.  $35 + \square = 100$

12.  $55 + \square = 100$

13.  $\square + 25 = 100$

14.  $165 - \square = 100$

15.  $\square - 35 = 100$

Rocket Race to 100

1) $30 + 70 = 100$

2) $50 + 50 = 100$

3) $80 + 20 = 100$

4) $10 + 90 = 100$

5) $100 + 0 = 100$

6) $140 - 40 = 100$

7) $170 - 70 = 100$

8) $130 - 30 = 100$

9) $160 - 60 = 100$

10) $100 - 0 = 100$

11) $35 + 65 = 100$

12) $55 + 45 = 100$

13) $75 + 25 = 100$

14) $165 - 65 = 100$

15) $135 - 35 = 100$